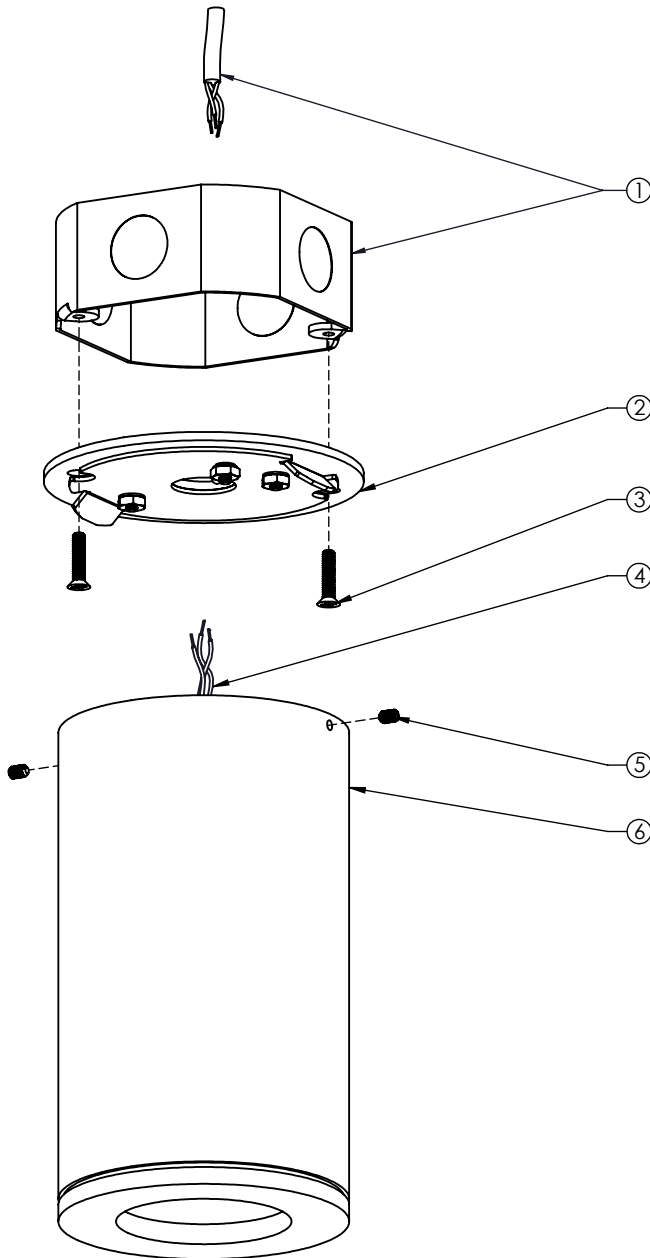
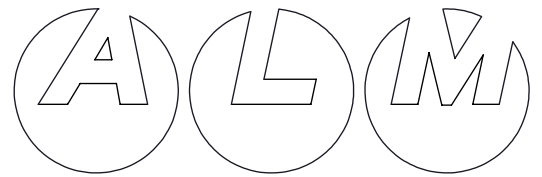


Ciro RD

CEILING

INSTALLATION INSTRUCTIONS



NOTE - Remote driver:
- If required, installed by others
- Connect wires accordingly

NOTE:
Additional mounting hardware
provided for installation where
octagon box is not available.

1	4" Octagon box and power feed (by others)
2	Ceiling plate assembly
3	Mounting screws to octagon box 8-32 x 3/4" long, flat head (provided)
4	Fixture power wires
5	Fixture housing mounting set screws (x2)
6	Fixture housing

INSTRUCTIONS:

1. Unscrew fixture housing mounting set screws and remove fixture housing from the ceiling plate assembly.
2. Bring the electrical power feed through the center hole in the ceiling plate assembly and install ceiling plate assembly to the standard 4" octagon box (flat head screw - provided). If octagon box is not available, secure ceiling plate assembly to the ceiling using additional mounting hardware provided.
3. Splice the fixture power wires and power feed as required. Wires for connection are clearly labeled.
4. Secure fixture housing to the ceiling plate assembly using set screws provided.
5. Energize.

GENERAL NOTE:

- * Turn power off before beginning.
- * Do not connect to an ungrounded supply.
- * Consult a qualified electrician to ensure correct branch circuit conductor.
- * This product must be installed in accordance with the applicable installation code by a person familiar with the construction and operation of the product and the hazards involved.
- * Save these instructions.